



Max Medium Single Emission

LedsC4 Team

Wall fixture IP66 Max Medium Single Emission LED 8 LED warm-white 3000K DALI-2 Urban grey 373lm

Technical features

- Luminaire total power: 8W
- Real lumens: 373
- Real lm/W: 47
- Correlated Colour Temperature (CCT): LED warm-white 3000K
- Lens / reflector angle: NARROW 9°
- UGR: <=16
- Structure material: Aluminium
- Structure finish: Urban grey
- Diffuser material: Glass
- Diffuser finish: Transparent
- Voltage / frequency: 100-277V/50-60Hz
- Dimming protocol: DALI-2
- Power Factor: 0.90
- Useful life: 50,000h L80B20
- Warranty: 5 años
- Resistant to marine environments: Yes
- Easily recyclable luminaire



Luminotechnic features

- CRI: 90
- MacAdam steps: 3
- Photobiological risk: RG2
- UGR crosswise: 11.2
- UGR lengthwise: 11.2

| Lampholder | Quantity | Light source power (W) | Correlated Colour Temperature (CCT) |
|------------|----------|------------------------|-------------------------------------|
| LED | 1 | 6W | LED warm-white 3000K |

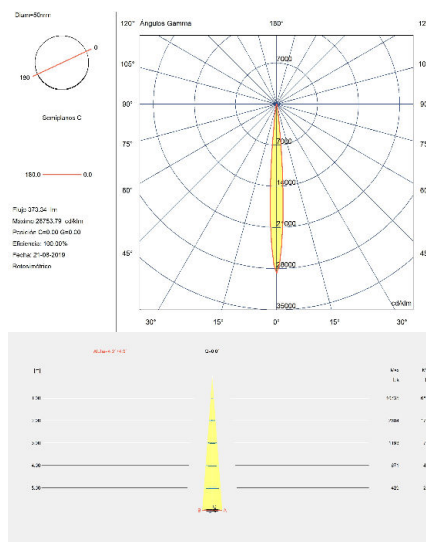
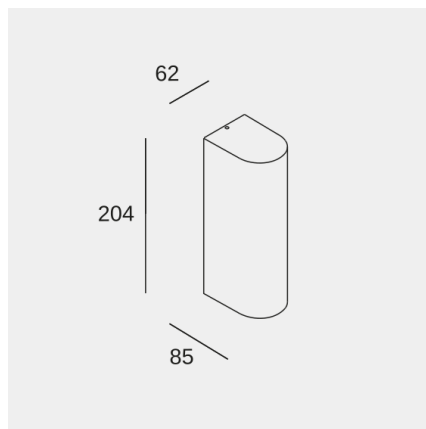


Image may not match reference. LedsC4 reserves the right to amend any of the product's components. The data related to flux, power and colour temperature may be subject to changes made by the manufacturer.

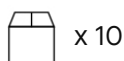


Max Medium Single Emission

LedsC4 Team

Wall fixture IP66 Max Medium Single Emission LED 8 LED warm-white 3000K DALI-2 Urban grey 373lm

Logistics



x 10

Net weight (kg): 1.25

Packaged weight (kg): 1.41

Packaging: 100mm x 70mm x 340mm

Light application



Image may not match reference. LedsC4 reserves the right to amend any of the product's components. The data related to flux, power and colour temperature may be subject to changes made by the manufacturer.

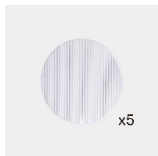


Max Medium Single Emission

LedsC4 Team

Wall fixture IP66 Max Medium Single Emission LED 8 LED warm-white 3000K DALI-2 Urban grey 373lm

Optional accessories



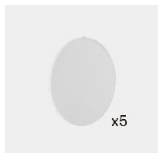
71-E141-00-00

5 filters for producing light in an elliptical shape

Structure material: Polycarbonate

Dimensions: 40 x NA x 2

Net weight (kg): 0.01



71-E135-00-00

5 filters for producing light in a square shape

Structure material: Polycarbonate

Dimensions: 40 x NA x 1.5

Net weight (kg): 0.02



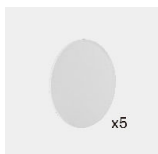
71-E131-00-00

5 honeycomb panels

Structure material: Aluminium

Dimensions: 40 x NA x 3

Net weight (kg): 0.01



71-E133-00-00

5 filters for producing diffused light

Structure material: Polycarbonate

Dimensions: 40 x NA x 2

Net weight (kg): 0.02



71-E463-00-00

Structure material: Methacrylate

Dimensions: 40 x NA x 3

Net weight (kg): 0.02

Image may not match reference. LedsC4 reserves the right to amend any of the product's components. The data related to flux, power and colour temperature may be subject to changes made by the manufacturer.